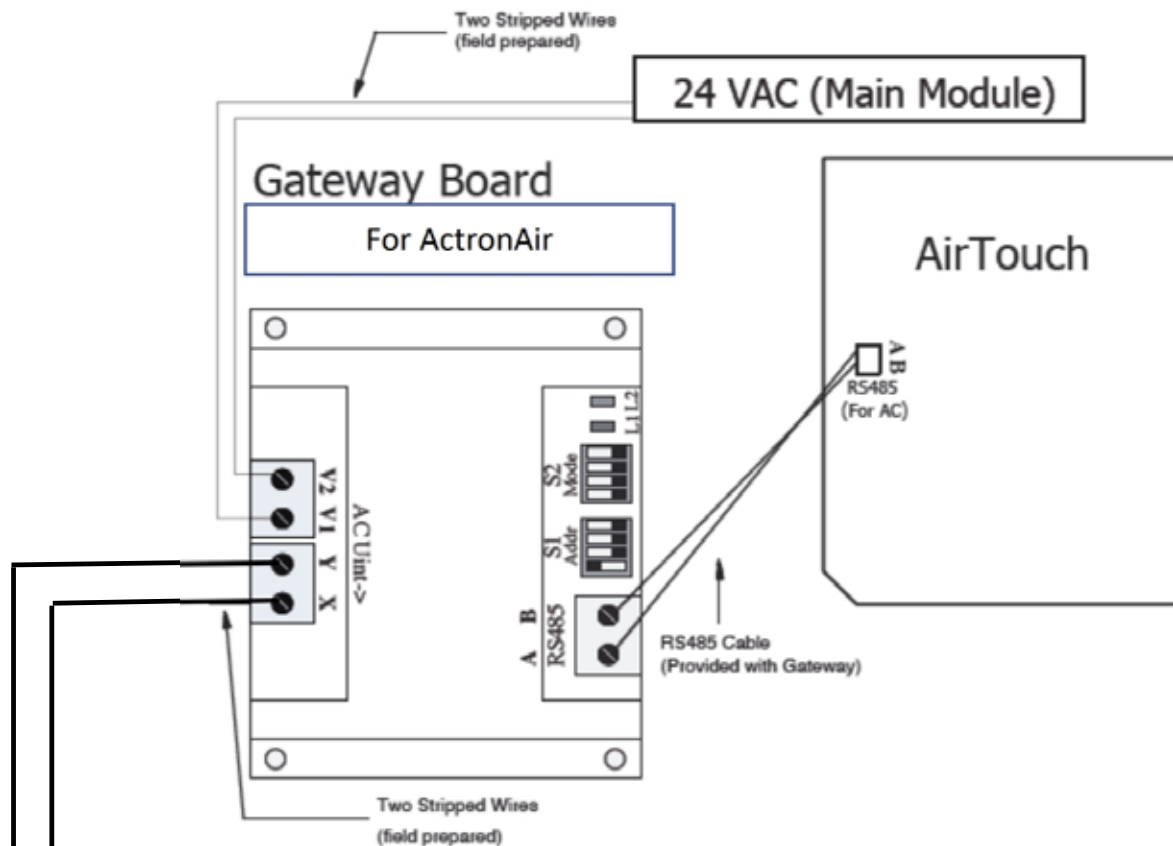
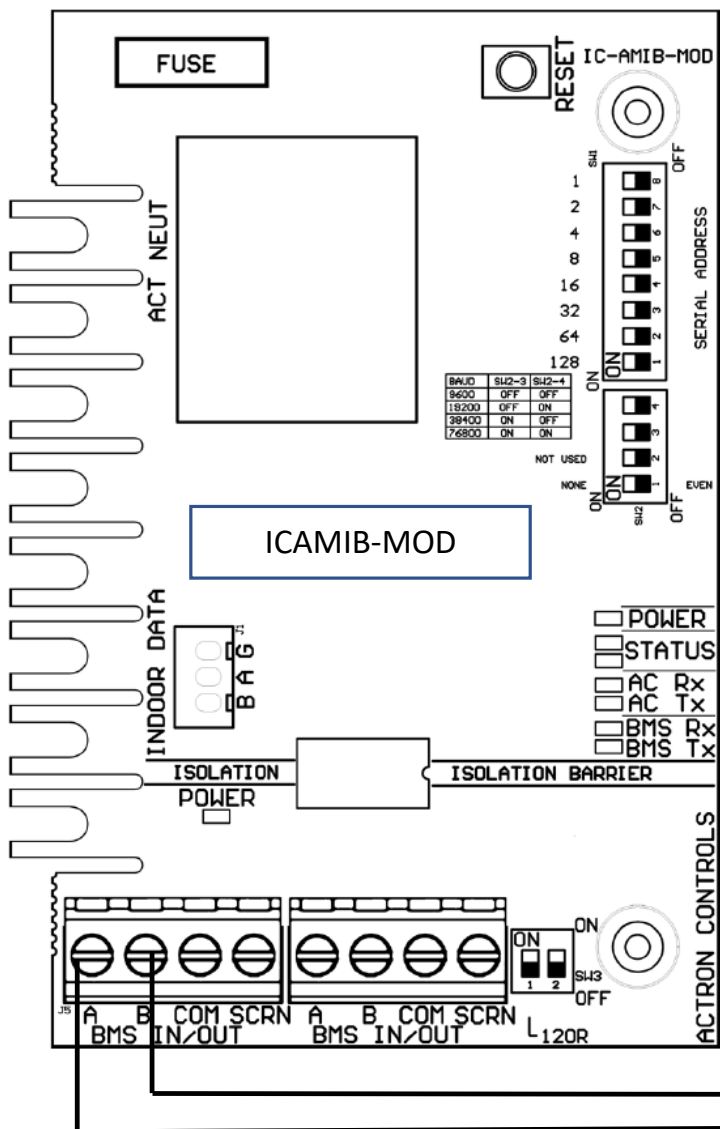


For ActronAir Interface Board ICAMIB-MOD (for Indoor, **purchased from ActronAir**)



**Notes:**

**On ICAMIB-MOD Board    On Gateway 657252**

- SW1:00000000
- SW2:0000
- SW3: 00
- S1: 1000
- For connection to ICAMIB-MOD: S2:0000

- Connect the Interface Board to the indoor
- Actron wall controller can be wired together
- Disable Continuous Fan with Actron wall controller
- Wall controller or AERSS sensor should be installed